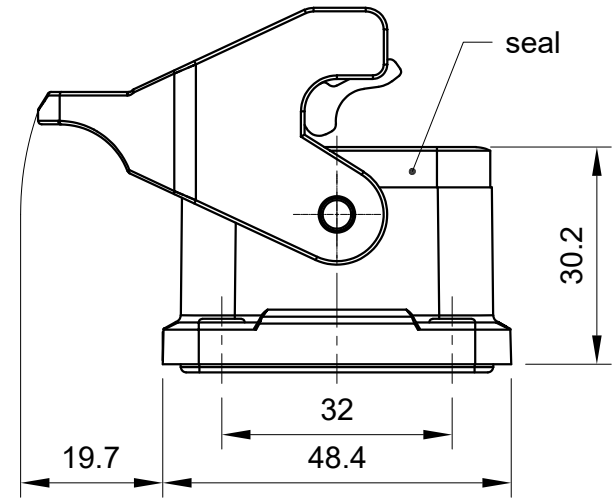
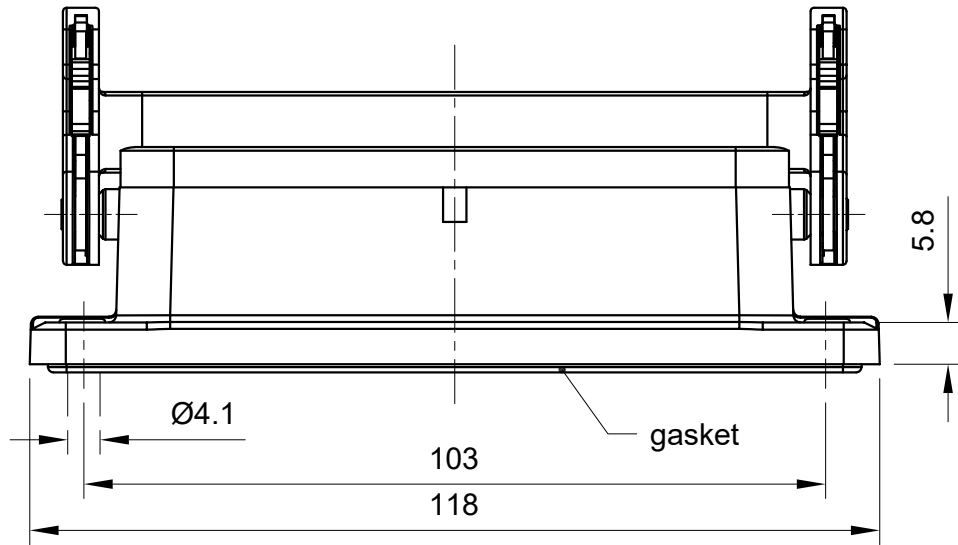


A

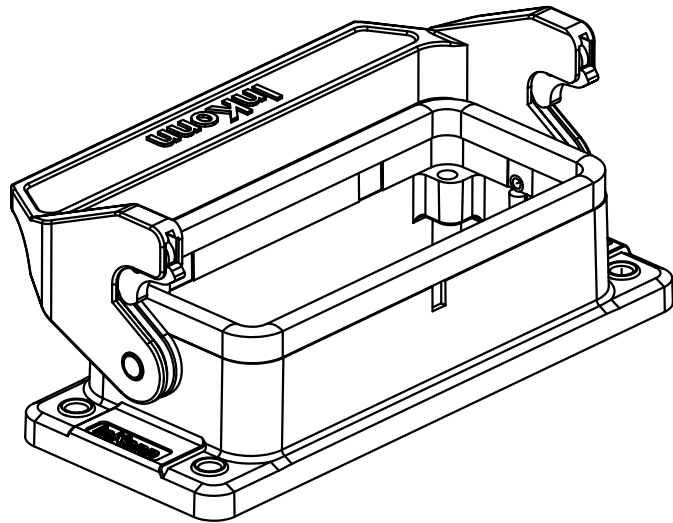
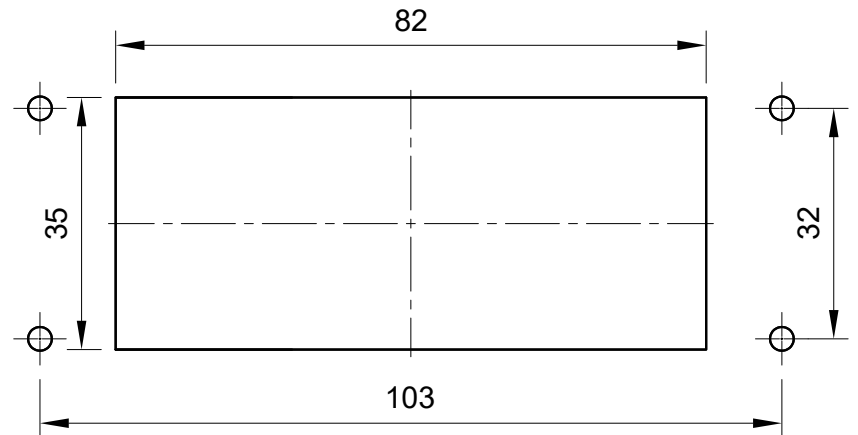
B

C

D



Panel cut out



<p>All Dimensions in mm Original Size DIN A4</p>	Date 2019-07-15	Drawing No. TC5345375	Rev. A00	Scale 1:1
	Part No. 10 11 016 0510	Created by Shuxu Huang	Checked by Yiyi Luo	Page 1/1
<p>InKonn® InKonn (Suzhou) Electric Technology Co.,Ltd.</p>		Type Name HB16-BM-SL		

1

2

3

4

5

6